

## Horizontal 3-Way Ball Valve Features

- GB and NPT is optional
- Adopting circular arrow mark, the pointer can indicate valve position accurately
- There are various forms of circulation is optional

## Applications

- Industrial control equipment, instrumentation products
- Intelligent water control equipment, water-saving system terminals
- Environmental protection, low emissions, water supply and drainage, water treatment engineering

Certification: CE, ISO9001, MA, AL

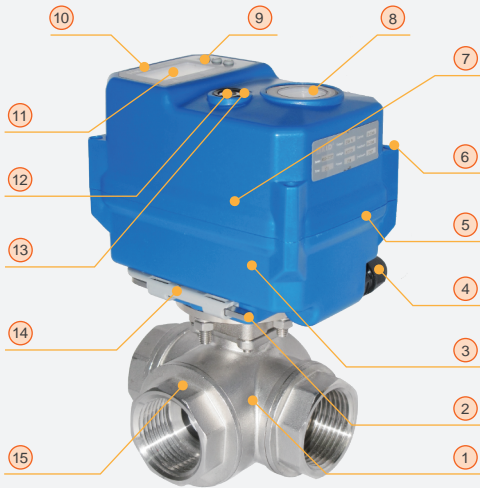


200N normal on/off model



200C smart on/off model

## 200C Smart Horizontal 3-Way Ball Valve Main Components Diagram

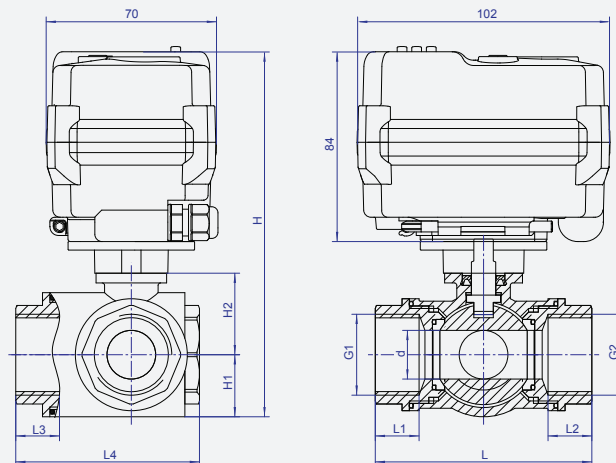


## Main Components

No.	Parts	可选材质	数量
1	Valve bod	Nickel - plated brass/ 304 / 316	1
2	Hexagon wrench	Tool steel	1
3	Bottom cover	Heatproof ABS/Casting aluminum	1
4	Cable connector	Nylon/Nickel - plated brass	1
5	Lid seal	SI	1
6	Screws	304	4
7	Top cover	Heatproof ABS/Casting aluminum	1
8	Indicator	Transparent AS	1
9	Key	Rubber	3
10	Lable	PVC	1
11	Screen	OLED	1
12	Manual shaft	304	1
13	Oil seal	NBR	1
14	Wrench fixed	Heatproof ABS	1
15	Valve bonnet	Nickel - plated brass / 304 / 316	3

Normal on/off model no key and 1.3-inch OLED screen.

## Dimension [200C, DN15-DN25]



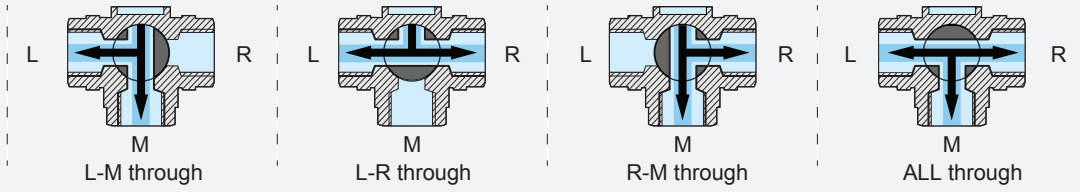
## Connection Size (unit: mm)

DN	d	G1=G2=G3	L1=L2=L3	L	L4	H1	H2	H	F	W(Kg)
15	12	G1/2"	15.0	67	54.5	17.00	21.25	135.25	27	
20	15	G3/4"	15.0	77	64.0	20.25	23.25	140.50	31	
25	25	G1"	18.0	94	72.5	20.25	23.25	140.50	38	
25	20	G1"	18.5	89	72.5	25.50	33.50	156.00	38	

BSPT, NPT and RC, etc is optional. Please specify in orders.

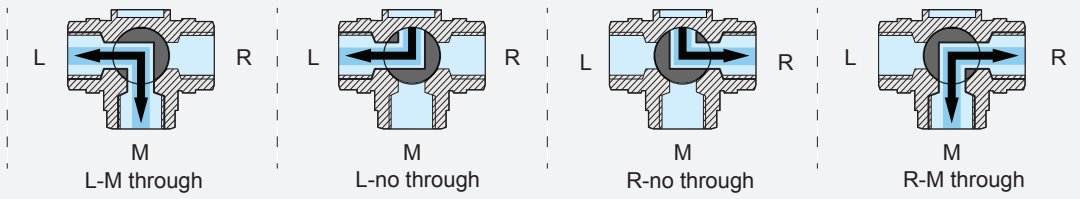
Flow Direction

T port



Note 1 : User can choose two positions from all above mentioned flow patterns, but there might be some mixing if choosing overlapping flow pattern.  
 Note 2 : 200C smart model can choose four ways of distribution.

L port




Note 1 : User can choose two positions from all above mentioned flow patterns, but there might be some mixing if choosing overlapping flow pattern.  
 Note 2 : 200C smart model can choose four ways of distribution.

## Electrical Parameters

Series type	Rated torque @rated voltage	Rated voltage	Available voltage range	Run/static power consumption @rated voltage	Peak cruent @rated volatage @5ms	External fuse specification	Running time <sup>*1</sup> (Per 90°)	Optional control mode
KLD-200N	15N.m	DC24V	DC22V-28V	36W/0.25W	1.5A	3A	10S@Power up 15S@Power down	KT32 or KT32S
		AC110V	AC90V-130V	40W/1.6W	90mA	1A		
		AC230V	AC190-250V	40W/1.6W	90mA	1A		
	20N.m	DC12V	DC10-14V	3.5W/0.3W	1A	2A	10S	B3 BD3 B3S BD3S
		DC24V	DC22V-28V	15W/0.1W	1.2A	2A		
		AC24V	AC18V-26V		0.5A	2A		
AC110V	AC90V-130V	135mA	1A					
KLD-500N	50N.m	DC24V	DC22V-28V	60W/1.5W	2.5A	5A	10S	B3S BD3S
		AC24V	AC22V-28V	50W/1W	3A	5A	20S	
		AC110V	AC90V-130V		1A	2A		
		AC230V	AC190-250V	0.5A	2A			
KLD-1000N	100N.m	DC24V	DC22V-28V	60W/1W	3.5A	5A	10S	B3S BD3S
		AC24V	AC22V-28V	80W/1W	3.5A	5A	30S	
		AC110V	AC90V-130V		1.5A	3A		
		AC230V	AC190-250V	0.6A	2A			
KLD-2000N	200N.m	DC24V	DC22V-28V	180W/1W	4A	10A	10S	B3S BD3S
		AC110V	AC90V-130V	150W/1W	2A	5A	30S	
		AC230V	AC190-250V		1A	5A		
KLD-4000N	400N.m	DC24V	DC22V-28V	240W/1W	5A	10A	10S	B3S BD3S
		AC110V	AC90V-130V	200W/1W	2.5A	5A	30S	
		AC230V	AC190-250V		2A	5A		

\* Since the running time is affected by the valve body, it is considered to be qualified within  $\pm 3s$ .

## Function Parameters

The valve ball rotation Angel	90°
Protection grade	IP67 or F Type
Manual function	Standard ( Manual override is only permitted to be used when power is cut )
Indicator	

The valve ball rotation Angle of 200C smart model can choose 90° , 180° or 270° .

## Working Conditions

Ambient temperature	-20 ——60
Ambient humidity	Relative humidity $\leq$ 85% ---- Suitable for IP67
	Relative humidity > 85% ---- Suitable for IP67
Medium temperature	0-100
Medium pressure	$\leq$ 1.0MPa